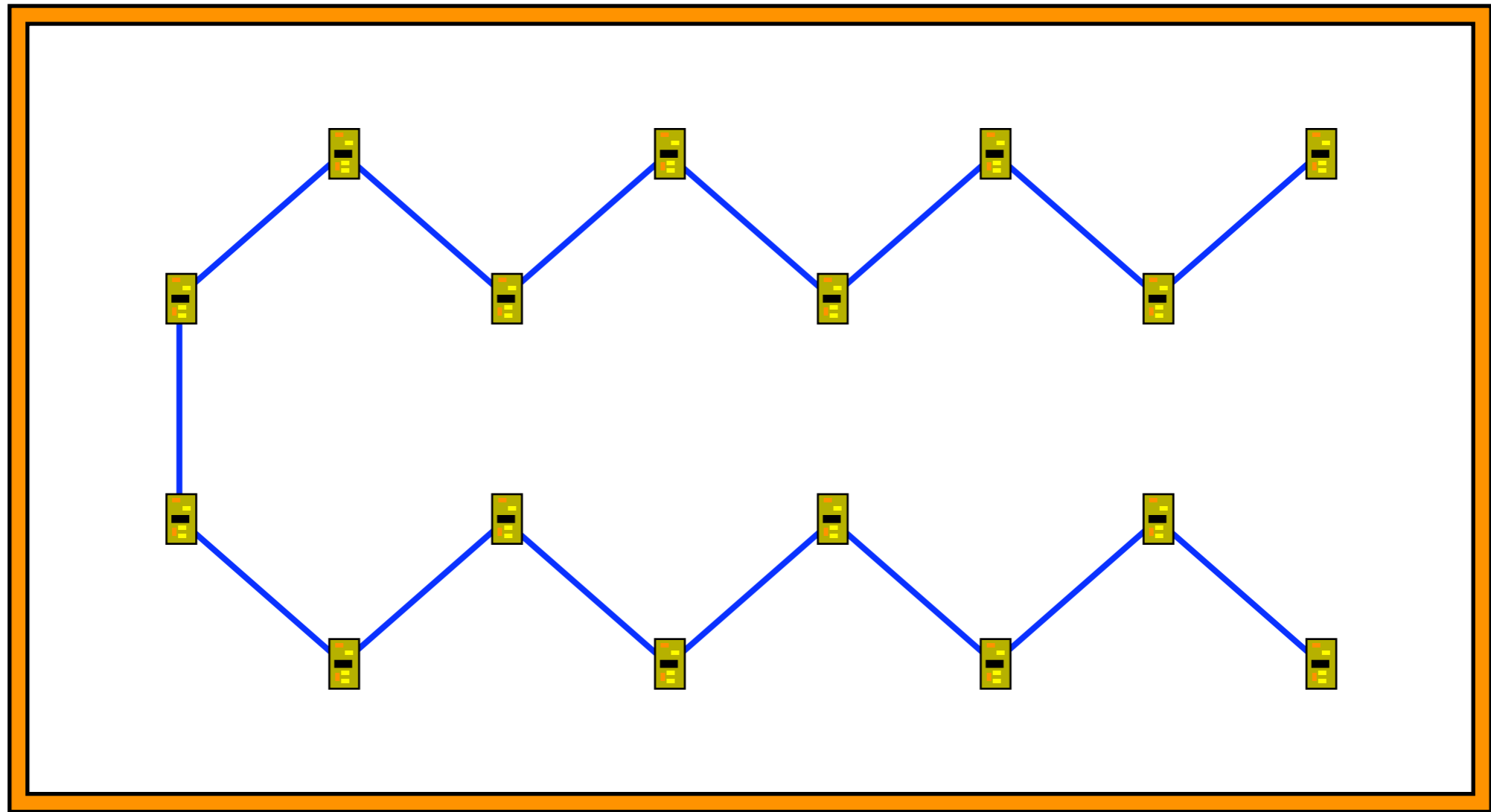


# LED DINING TABLE TOPOLOGY



16 CIRCUIT NODES ARE CONNECTED  
IN A 1-D NETWORK

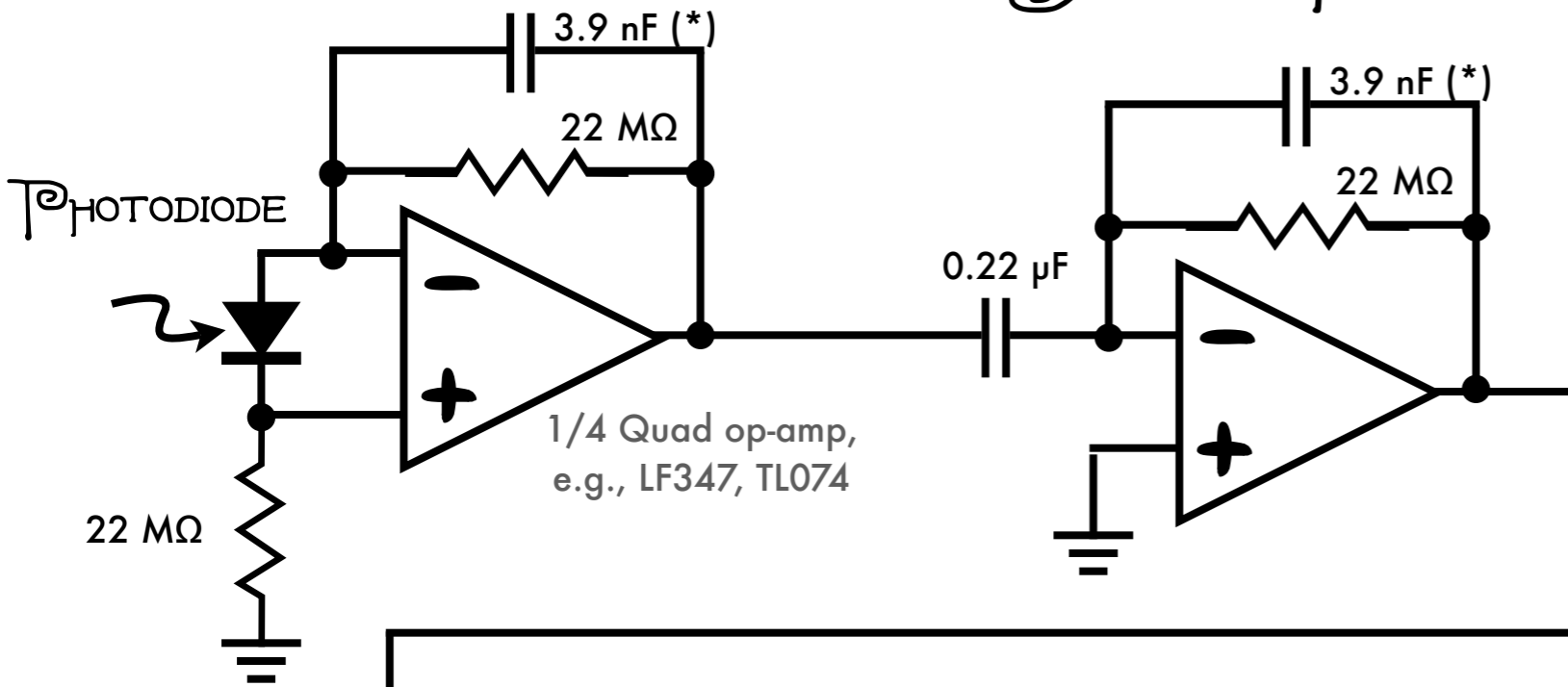
# CIRCUIT DIAGRAM (SINGLE NODE)

Interactive LED Dining Table

www.evilmadscientist.com

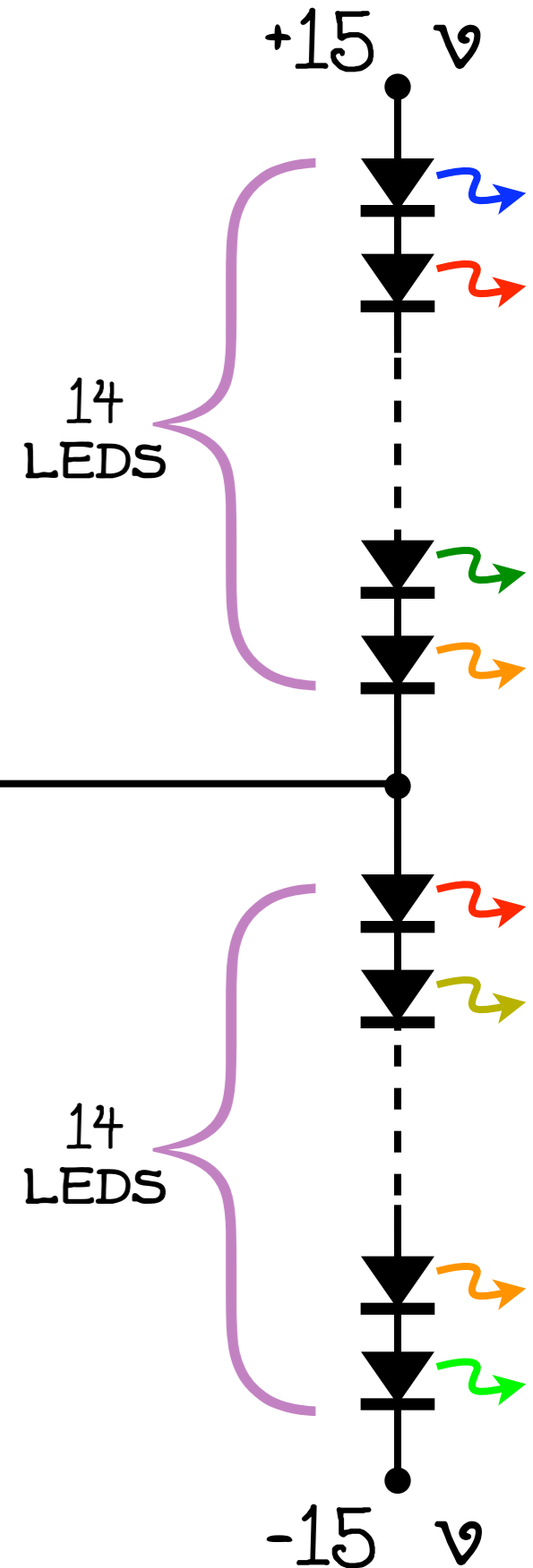
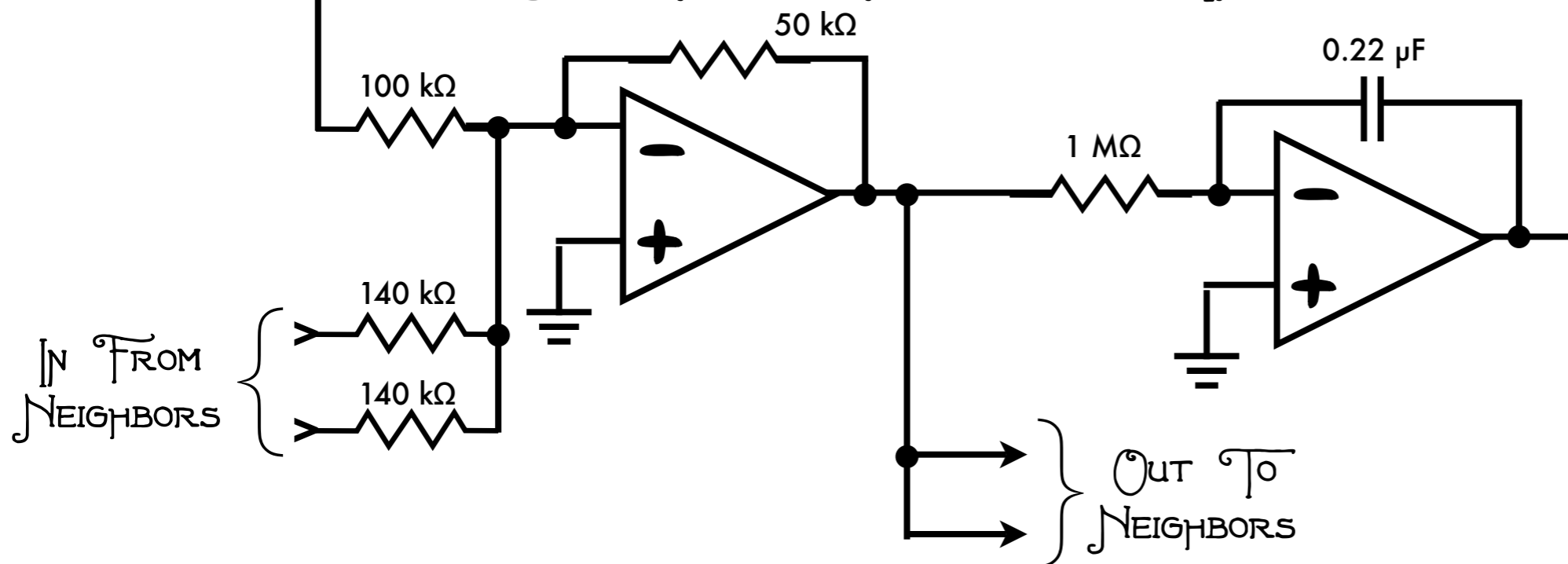
## TRANSIMPEDANCE AMP

## DIFFERENTIATOR



## COMMUNICATION

## INTEGRATOR



\*Little caps prevent oscillation