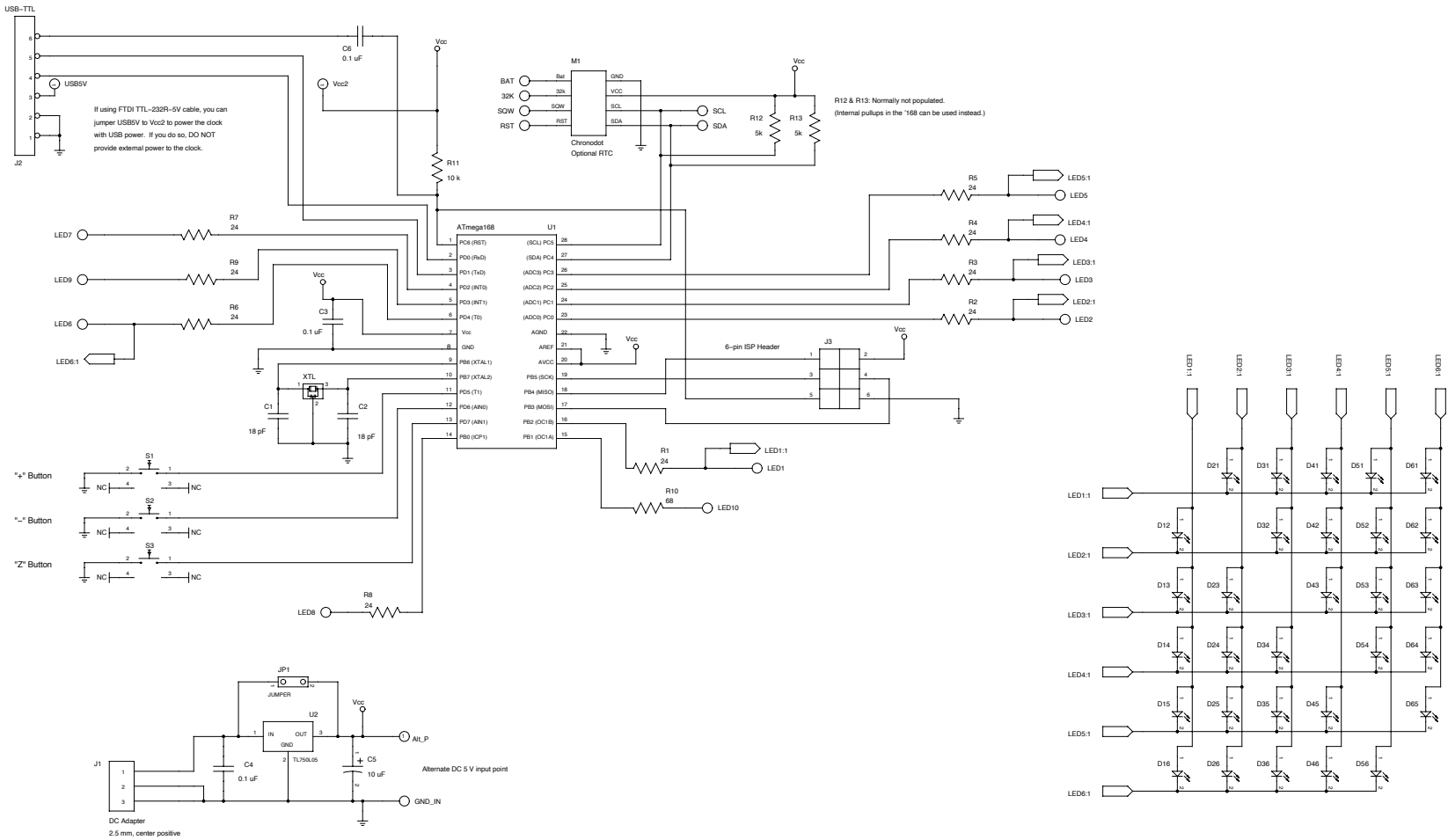


Connector for FTDI USB-TTL cable.



Regulated 5 V DC adapter is normally used, along with jumper in location JP1.

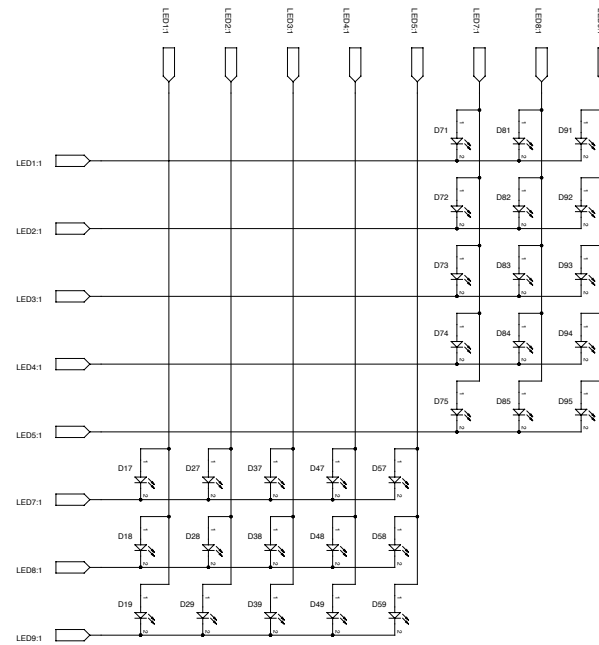
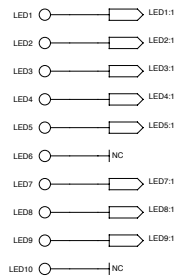
For unregulated input above 5.5 V, remove jumper JP1 and install a TL750L05 regulator plus two caps as shown.

An Open-Source Design by
 Evil Mad Scientist Laboratories
www.evilmadscientist.com

Fabricated for
 Evil Mad Science LLC
<http://evilmadscience.com/>

Copyright 2009, Windell H. Oskay/Evil Mad Science LLC
 Distributed under the TAPR Open Hardware License
www.tapr.org/OHL

Bulbdiol Clock: Main PCB			
TITLE	bulbdiol.sch		
FILE	bulbdiol.sch	REVISION	A
PAGE	1 OF 1	DRAWN BY	Windell H. Oskay

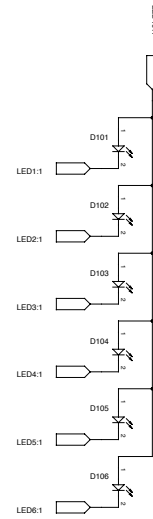
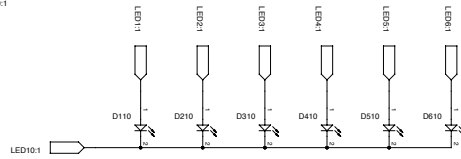
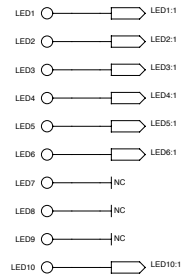


An Open-Source Design by
 Evil Mad Scientist Laboratories
www.evilmadscientist.com

Fabricated for
 Evil Mad Science LLC
<http://evilmadscience.com/>

Copyright 2009, Windell H. Oskay/Evil Mad Science LLC
 Distributed under the TAPR Open Hardware License
www.tapr.org/OHL

TITLE: Bulbdial Clock: Minute PCB		
FILE: bminute.sch	REVISION: A	
PAGE: 1 OF 1	DRAWN BY: Windell H. Oskay	



An Open-Source Design by
 Evil Mad Scientist Laboratories
www.evilmadscientist.com

Fabricated for
 Evil Mad Science LLC
<http://evilmadscience.com/>

Copyright 2009, Windell H. Oskay/Evil Mad Science LLC
 Distributed under the TAPR Open Hardware License
www.tapir.org/OHL

TITLE: Bulbdial Clock: Minute PCB		
FILE: bminute.sch	REVISION: A	
PAGE: 1 OF 1	DRAWN BY: Windell H. Oskay	