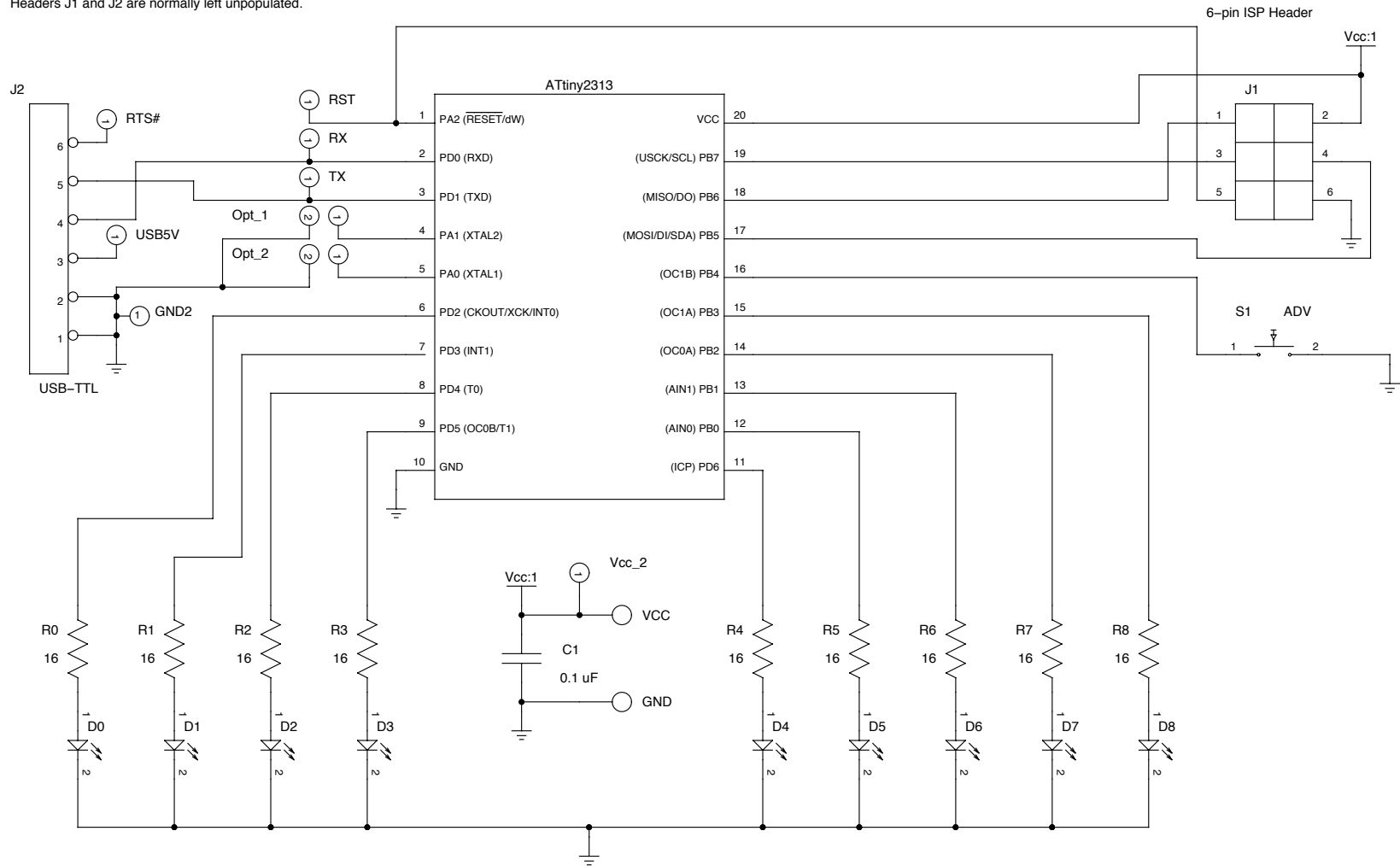


Headers J1 and J2 are normally left unpopulated.



The resistor value here is appropriate for 3 V DC input and RED or YELLOW LEDs.

Adjust accordingly for 4.5 V or 5 V input and the forward voltage of your LEDs.

Copyright 2009; Distributed under the GPL, GFDL, and CC-BY-SA-3.0 Licenses.

Evil Mad Scientist Laboratories / Evil Mad Science LLC	
TITLE "ix" PCB	
FILE: ix_RevA.sch	REVISION: A1
PAGE 1 OF 1	DRAWN BY: Windell H. Oskay